



ACOUSTICS

Q Active

MANUAL

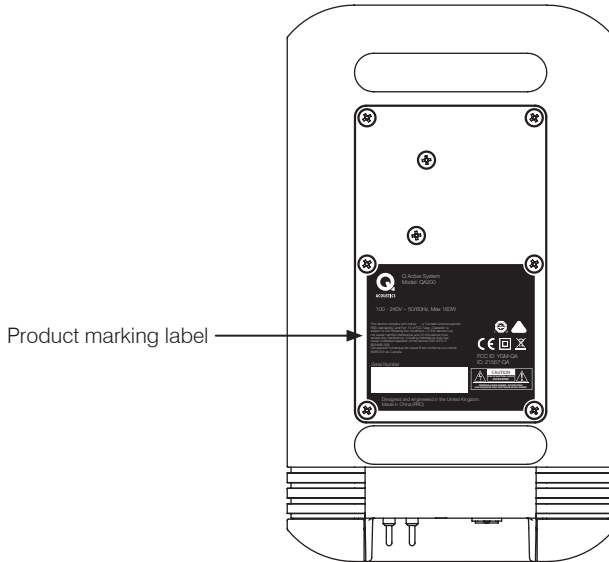
Contents

- Important safety information and warnings..... 3
- Introduction..... 6
- Package contents..... 6
- Feature summary..... 7
- Speaker position and assembly..... 8
- Hub positioning and connectivity..... 10
- Connecting the system and powering on..... 11
- Configuring WiFi and name using Google Home app..... 13
- Configuring WiFi using AirPlay 2..... 13
- Playing audio using Chromecast built-in™..... 13
- Playing audio using Spotify Connect..... 13
- Playing audio using Roon..... 13
- Playing audio using DLNA (UPnP)..... 13
- Playing audio using Bluetooth®..... 14
- Playing audio using wired inputs..... 14
- System reset..... 15
- Speaker top panel operation..... 15
- Speaker rear connection..... 16
- Hub operation..... 16
- Specification..... 18
- Warranty..... 19

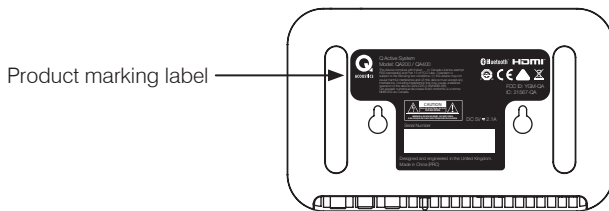
Important safety information and warnings

The safety marking label is located on the bottom of the product as show below:

Q Active 200 and 400 speaker:



Q Active Hub:



Important safety information and warnings

1 Notices

1.1 FCC Statement (For US Customers)

This device complies with Part 15 of the FCC Rules. Operation is subject to the following two conditions: (1) this device may not cause harmful interference, and (2) this device must accept any interference received, including interference that may cause undesired operation.

This equipment has been tested and found to comply with the limits for a Class B digital device, pursuant to part 15 of the FCC Rules. These limits are designed to provide reasonable protection against harmful interference in a residential installation. This equipment generates, uses and can radiate radio frequency energy and if not installed and used in accordance with the instruction manual, may cause harmful interference to radio communications. However, there is no guarantee that interference will not occur in a particular installation. If this equipment does cause harmful interference to radio or television reception, which can be determined by turning the equipment off and on, the user is encouraged to try to correct the interference by one or more of the following measures:

- Reorient or relocate the receiving antenna.
- Increase the separation between equipment and receiver.
- Connect the equipment into an outlet on a circuit different from that to which the receiver is connected.
- Consult the dealer or an experienced radio/TV technician for help.

1.2 FCC Radiation Exposure

This equipment complies with FCC radiation exposure limits set forth for an uncontrolled environment. This equipment should be installed and operated with a minimum distance of 8 in/20cm between the radiator and your body.

This transmitter must not be co-located or operated in conjunction with any other antenna or transmitter.

CAUTION! Any changes or modifications made to this device that are not expressly approved by Q Acoustics may void the user's authority to operate the equipment.

1.3 Industry Canada Statement (for Canadian Customers)

CAN ICES-3 (B)/NMB-3(B)

The device meets the exemption from the routine evaluation limits set out in section 2.5 of RSS 102 and is in full compliance with RSS-102 RF. Users can obtain information on RF exposure and compliance from Industry Canada.

This device complies with Industry Canada licence-exempt RSS standard(s). Operation is subject to the following two conditions:

- 1) This device may not cause harmful interference, and
- 2) This device must accept any interference received, including interference that may cause undesired operation.

1.4 Bluetooth

This unit contains a Class 2 *Bluetooth* transmitter working at 2.4GHz.

2 Safety Information and Warnings

2.1 Instructions

Read and understand these instructions before you use your Speakers. If damage is caused by failure to follow these instructions, the warranty does not apply. Please keep these instructions in a safe place.

Read these instructions.

Keep these instructions.

Heed all warnings.

Follow all instructions.

Do not use this apparatus near water.

Clean only with dry cloth.

Do not block any ventilation openings. Install in accordance with the manufacturer's instructions.

Do not install near any heat sources such as radiators, heat registers, stoves, or other apparatus (including amplifiers that produce heat).

Protect the power cord from being walked on or pinched particularly at plugs, convenience receptacles, and the point where they exit from the apparatus.

Only use attachments/accessories specific by the manufacturer.

Use only with the stand, tripod, bracket, or table specified by the manufacturer, or sold with the apparatus.

Unplug this apparatus during lightning storms or when unused for long periods of time.

Refer all servicing to qualified service personnel. Servicing is required when the apparatus has been damaged in any way, such as power-supply cord or plug is damaged, liquid has been spilled or objects have fallen into the apparatus, the apparatus has been exposed to rain or moisture, does not operate normally, or has been dropped.

2.2 Installation

- The mains plug is the means of disconnecting the unit from the mains supply and shall be readily accessible.
- Only use the accessories supplied with the unit.
- To prevent injury, this apparatus must be securely attached to the floor/wall in accordance with the installation instructions.

- Never install this product in a confined space. Always leave a space or at least four inches around the product for ventilation.
- The ventilation should not be impeded by covering the ventilation openings with items, such as newspapers, table-cloths, curtains, etc.
- Do not place any sources of danger on the apparatus (for example: liquid filled objects, lighted candles).
- The use of apparatus is in tropical and/or moderate climates.

2.3 Moisture

- To reduce the risk of fire or electric shock, this apparatus should not be exposed to rain, moisture, dripping or splashing.
- Do not use this apparatus near water.

2.4 Remote Control Batteries

The remote control supplied with this unit contains a battery. To prevent battery leakage which may result in bodily injury, property damage, or damage to the unit:

- Install the battery correctly, + and - as marked on the unit.
- Remove the battery when the unit is not used for a long time.
- Do not expose the battery or remote control to excessive heat, including sunshine.
- **CAUTION:** Danger of explosion if battery is incorrectly replaced. Replace only with the same or equivalent type.
- **WARNING - DO NOT INGEST BATTERY - CHEMICAL BURN HAZARD.**
- If the battery is swallowed, it can cause severe internal burns in just 2 hours and can lead to death. Keep new and used batteries away from children. If the battery compartment does not close securely, stop using the product and keep it away from children. If you think batteries might have been swallowed or placed inside any part of the body, seek immediate medical attention

Disposal of Batteries

The battery supplied contains perchlorate material and in many areas batteries may not be disposed of with your household waste. Please ensure you dispose of batteries according to local regulations.

The battery supplied does not contain the heavy metals mercury or cadmium.

2.5 Servicing

Servicing is required when the unit or mains cord has been damaged in any way, liquid has been spilled or objects have fallen into the apparatus, the apparatus has been exposed to rain or moisture, it does not operate normally, or has been dropped.

Refer all servicing to qualified service personnel.

3.0 Symbols used on this product



Class II Equipment Symbol

This symbol indicates that the unit has a Class II double insulation system, and no protective earth provided.



High Voltage Hazard Symbol

This symbol indicates uninsulated material within your unit may cause an electrical shock. For the safety of everyone in your household, please do not remove the product covering.



Hazard Warning Symbol

The 'exclamation mark' calls attention to features for which you should read this manual closely to prevent operation and maintenance problems. **WARNING:** To reduce the risk of fire or electric shock, this apparatus should not be exposed to rain or moisture and object filled with liquids, such as vases, should not be placed on this apparatus.

CAUTION: To prevent electric shock, match wide blade of plug to wide slot, fully insert.



Waste Electrical and Electronic Equipment Symbol

This symbol indicates that when the unit is to be discarded, it must be separated from other household-type waste and sent to separate collection facilities for recovery and recycling of electrical and electronic equipment.

Please make sure you are familiar with your local rules on the separate collection of electrical and electronic products.

Introduction

Thank you for purchasing a pair of Q Acoustics Q Active speakers.

This manual is intended to take you through setup and installation and will help provide optimum performance from the product. There are on-line video tutorials available for setup at www.qacoustics.co.uk/kb.

Please read the instructions, important safety information and warnings carefully before installation and use, to ensure the safe and satisfactory operation of this product.

The Q Acoustics Q Active series is a range of active wireless speakers designed to give you a unique combination of exceptional sound performance, wired and wireless connectivity and an unrivalled choice of control options and music services.

Hub package contents



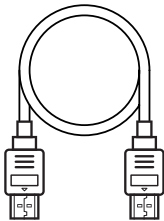
1 x Remote + batteries



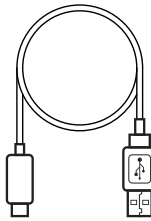
1 x Hub



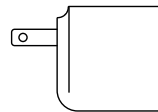
1 x Quick start guide



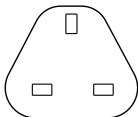
1 x HDMI cable



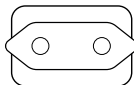
1 x USB A to USB C
(power cable)



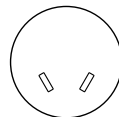
1 x Power supply
(US adaptor)



1 x UK adaptor



1 x EU adaptor



1 x AUS adaptor

Feature summary

Wired Connectivity:

Analogue audio input* – Stereo phono sockets allow a connection to an external analogue audio source such as CD player.

Analogue MM phono input* – Stereo phono sockets allow a connection to a turntable fitted with a moving magnet cartridge.

* Only one input available, either set to analogue or MM turntable cartridge

CEC – Consumer Electronics Control synchronises TV remote control of Volume, Mute and Standby for easy integration of our Q Acoustics speaker when using HDMI.

HDMI ARC – High Definition Multimedia Interface Audio Return Channel removes the need for additional Optical or Analogue audio cables between source and speaker.

Optical digital input – Allows connection to an external digital audio source such as CD player or TV without HDMI ARC

Sub Out – A Phono subwoofer output for connection to an external subwoofer.

Wireless Connectivity:

AirPlay 2 – A method of playing audio selected from iOS devices through the Q Active speakers

AVRCP – Audio Video Remote Control Profile is a *Bluetooth* control protocol that synchronises your device control of Volume and Mute for easy integration of our Q Acoustics speaker.

Bluetooth – An international wireless connection used for streaming audio from all compatible devices.

DLNA (UPnP) – Digital Living Network Alliance or Universal Plug and Play is a method of browsing media content from a UPnP server and selecting to play it through a UPnP player, such as the Q Active speakers using a UPnP control App

Chromecast built-in – Allows you to stream music from your favourite apps on your phone, tablet, or laptop to all of your Chromecast-enabled speakers.

Google Assistant – Use your voice to control your Q Active speakers using your Google Assistant-enabled device with Chromecast built-in.

Roon – A specialist music app which combines libraries from Tidal, Qobuz or personal music allowing the user to select a Roon speaker device, such as the Q Active speakers

Spotify Connect – A method of playing Spotify music through the Q Active speakers via the Spotify App

Acoustic:

BMR – Balanced Mode Radiators are Q Acoustics mid/high driver of choice, they have a flat radiating surface which enables their dispersion to fill a room with sound.

Boundary control switch – User control of EQ setting for best acoustic performance. This can be changed dependent upon speaker position, mounting, or user preference

DVC – Dual Voice Coil drive units are Q Acoustics subwoofer driver of choice, it has two voice coils in one driver for greater flexibility of design and improved bass control.

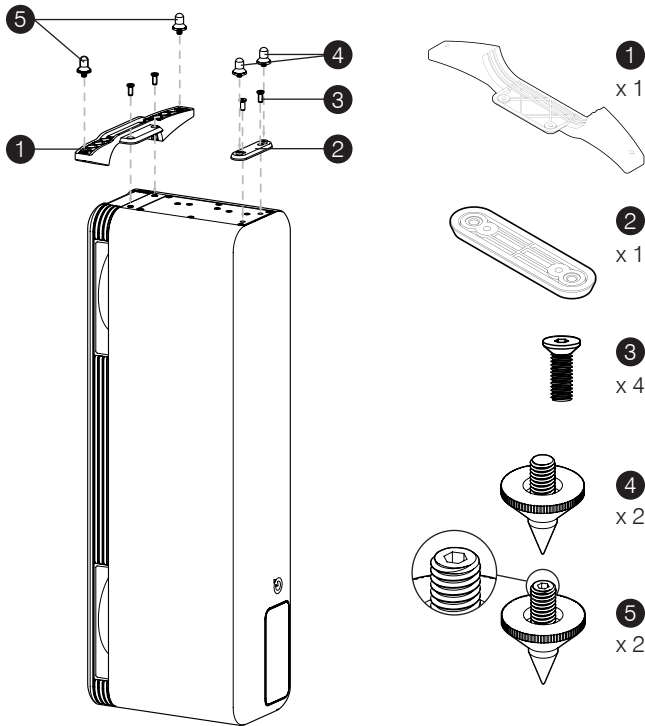
Dynamic Bass – Improved response, loudness, depth and control of bass frequencies is achieved through our dynamic bass enhancement system, to perfectly integrate our inbuilt DVC subwoofer.

Speaker positioning and assembly

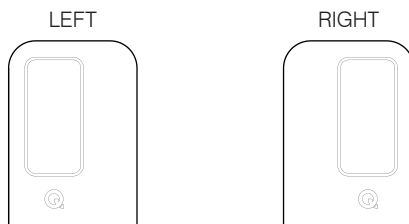
Q Active 400 (Floorstanding)

The Q Active 400 speakers are designed to be floor mounted only and supplied with front and rear support bases which must be attached to the bottom of the speaker in order to fit the supplied spike feet.

Carefully place the tower speaker upside down; using the cloth bag to protect the speaker from hard surfaces and screw the base parts as shown using the four supplied screws. After the bases have been fitted, screw in the four spike feet. If you have a wooden or stone floor, then it is recommended that you also fit the rubber caps over the top of the spikes to prevent floor scratching.



Place the speakers either side of the main listening position, ideally about 2.0 – 4.0m apart. If your speakers are close together it is advised that they are positioned such that the front drivers are further apart (see image below) to give the widest soundstage possible. Please note that each speaker requires a mains electricity socket.



Q Active 200 (Standmount)

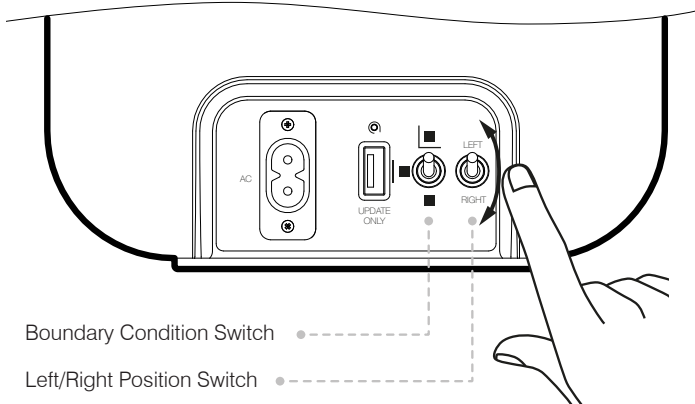
Simply place the speakers either side of the main listening position on an appropriate flat surface, ideally about 2.0 – 4.0m apart. If your speakers are close together it is advised that they are positioned such that the front drivers are further apart (see image opposite) to give the widest soundstage possible. Please note that each speaker requires a mains electricity socket.

Alternatively you can use Q Active 200 with the Q Active speaker stands (available separately), follow the supplied instructions with the stands.

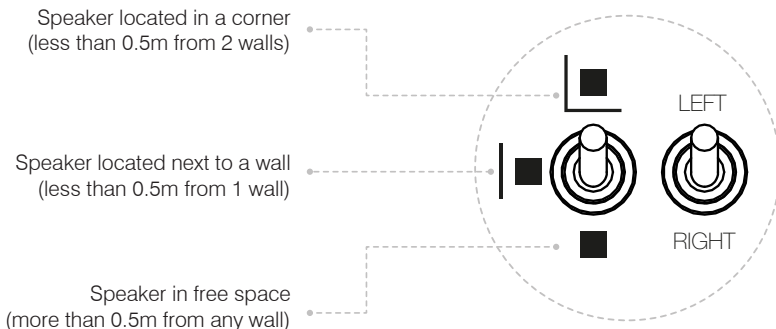
Q Active 400 / Q Active 200 Essential setup

Once the speakers are assembled and put into position, the correct configuration can be made using the switches on the rear of the speaker.

1. Set the Left / Right switch correctly for each speaker:

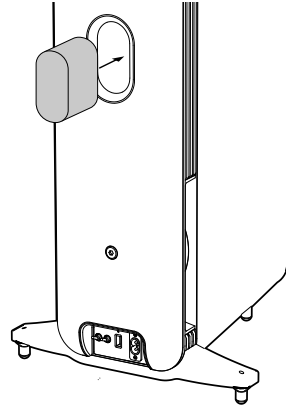
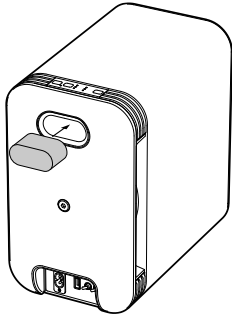


2. Select the correct boundary position, depending on where you have placed the speaker in relation to a wall or corner:



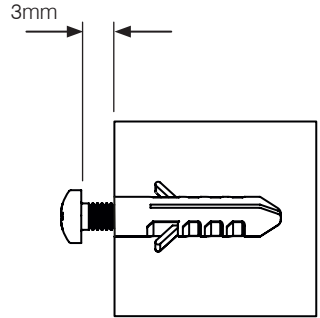
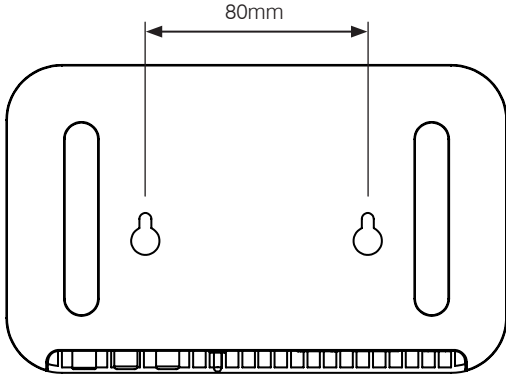
These are suggested settings to help control the bass but spend some time listening and choose the switch position that best suits your personal listening preference.

The foam port bung supplied is optional for any of the boundary settings but is required when the speaker is positioned flat against a rear boundary. Ensure the bungs are fitted snugly into the port without inserting them too far. You will find the level of bass is reduced but definition and bass extension is increased. Experiment to see what you prefer.

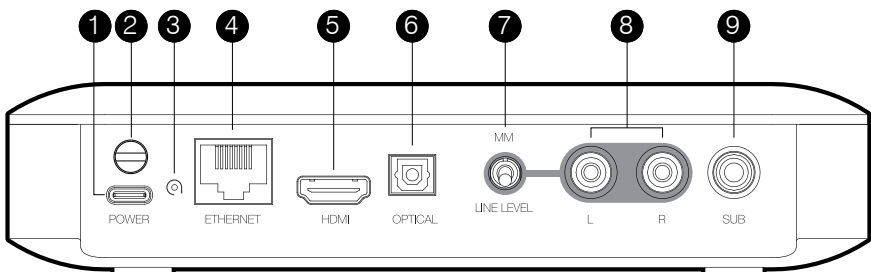


Hub positioning and connectivity

The hub can be placed in any convenient location in the same room as the speakers. It can be located on a shelf or in a cupboard, or mounted on a wall (see below) using two screws (not supplied). Please note that the hub requires a mains electricity socket. If using the hub with other external sources such as a TV, then it would be better to place it close to the sources alternatively locate the hub near your Wi-Fi router and connect it using an Ethernet cable (not supplied) if a wired internet connection is preferred.



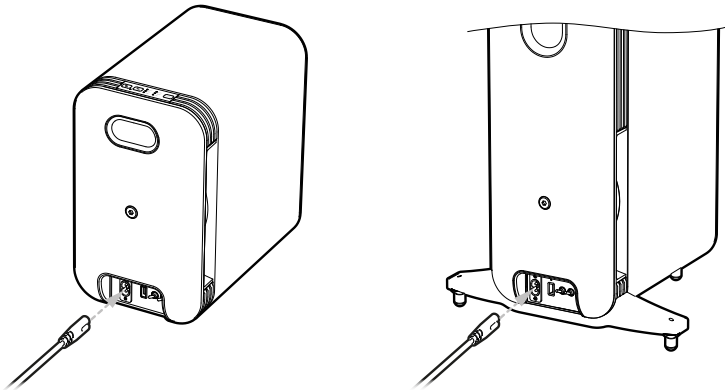
Recommended screw:
No. 8 pan head



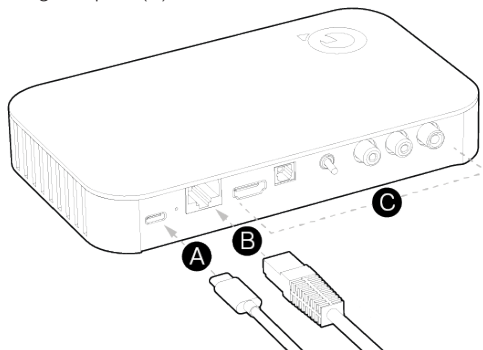
1. USB POWER – fit country adapters for the local mains and connect to the hub using the supplied USB cable.
2. PHONO GROUND - Connect the ground cable from your analogue source if required.
3. RESET – Press and hold for 5s to perform a factory reset.
4. ETHERNET – Connect an Ethernet cable (not supplied) to an internet router for a wired internet connection.
5. HDMI – Connect an HDMI cable to a TV HDMI ARC socket.
6. OPTICAL – Connect an optical TOSLINK cable (not supplied) to an external digital audio source
7. PHONO SWITCH – Switch the analogue sensitivity (8):
 MM – Moving Magnet turntable cartridge
 LINE LEVEL – Analogue audio input
8. ANALOGUE INPUT – Connect stereo phono audio analogue cable (not supplied) to external analogue audio source.
9. SUB OUT – Connect a mono phono analogue audio cable (not supplied) to external sub-woofer.

Connecting the system and powering on

Firstly connect the supplied power cables to the speakers as shown, switching on the power at the wall socket.

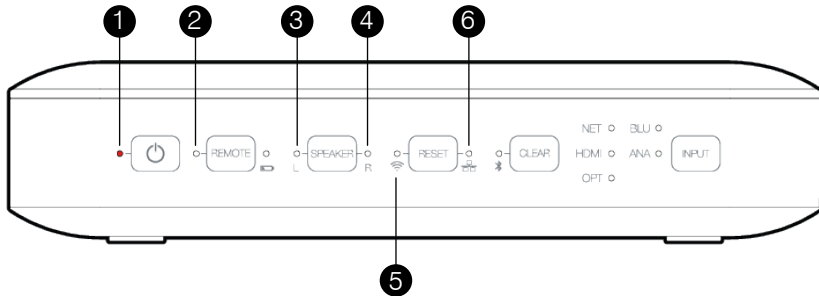


Secondly, connect and switch on the USB power supply to the hub as shown (A), and also an optional Ethernet cable (B) (not supplied) if a wired internet connection is preferable and available. A wired Ethernet connection from your Wi-Fi router to the Hub offers a more reliable internet connection, as it is not trying to compete with other Wi-Fi devices that may also be streaming media. Finally connect any other digital and analogue inputs (C).



Connecting the system and powering on

Once power is connected the hub will start flashing some of its status LED indicators as shown below.



1. STANDBY – This will flash red whilst the hub is initialising and will stop flashing once connections to the speakers are verified, or after a 3 minute timeout. A white flashing LED indicates the system is in mute.
2. REMOTE – This will flash whilst the hub is initialising and will turn on if a remote control connection is verified (press and hold the link button on the remote to connect), or switch off after two minutes if no remote control is connected. After initialisation, in standby the LED is off.
3. LEFT SPEAKER – This will flash whilst the hub is initialising and light continuously when a speaker is discovered and then connected. After initialisation the LED will go off and the hub will be in standby.
4. RIGHT SPEAKER - This will flash whilst the hub is initialising and light continuously when a speaker is discovered and then connected. After initialisation the LED will go off and the hub will be in standby.
5. WIFI – This will flash whilst the hub is initialising and will turn on if a WIFI connection is verified, turn off if a wired Ethernet connection is verified or turn amber if no network is verified. After initialisation, in standby the LED is off.
6. ETHERNET - This will flash whilst the hub is initialising and will turn on if an Ethernet connection is verified, turn off if a WIFI connection is verified or turn amber if no network is verified. After initialisation, in standby the LED is off.

The 'HUB' LED indicator on the speakers will also flash white when initially plugged in. Once connected to the hub and initialisation is complete, this will turn red. Once the hub has finished initialising all LED's will switch off, with just the standby LED remaining on.

It is possible to play music using *Bluetooth* before you connect the Hub to the Google Home app or the internet, refer to section 'Playing audio using *Bluetooth*'. It is also possible to play audio from external inputs, refer to section 'Playing audio from external sources'.

If the standby LED remains flashing, the hub failed to discover and connect to a Q Active speaker. Ensure that the speakers are connected to power, or refer to 'Hub operation' section 4 on page 17.

Configuring WIFI and using Google Home app

Once the hub and speakers have completed initialisation, you can configure the system to connect to your WIFI and rename the speaker using the Google Home app. You will need a Google account and the Google Home app in order to do this.

Open the Google Home app and select 'Add', followed by 'Set up device' and then 'Set up new devices in your home'. From this point follow the Google Home instructions in discovering the Q Active system, allocating it to a home and room, renaming the device and joining a WIFI network.

If you have plugged in a wired network cable, the Q Active system may already be listed in devices discovered but not configured for your home. In this case it is simple to select this device and allocate it to your home, room and rename the device without the need to join a WIFI network.

Configuring WIFI and using AirPlay 2

AirPlay is a method of playing audio wirelessly from an iOS device supporting AirPlay through your Q Active speakers. This is only available using Apple iOS devices. If your system is already configured to your WIFI or the hub is connected via Ethernet no setup is required otherwise setup by selecting 'Settings' and then 'WIFI', you should see Q Active listed under 'SETUP NEW AIRPLAY SPEAKER' select this (this is only available within 15 minutes following hub power up). You should then be able to select the WIFI you wish the speaker to join, and you can also name the speaker here as well. Once the speaker has joined the WIFI you can start using the system using AirPlay.

Your Q Active speakers can also be added to your Apple home using the Home app. This allows access to all the Home app features such as creating scenes, automations, group playback in different rooms and Siri access to control your Q Active speakers.

Playing audio using Chromecast built-in™

Chromecast built-in is a platform that lets you stream your favorite music from your phone, tablet or laptop right to your speakers. Easily control your speakers with apps you already know and love from your iPhone®, iPad®, Android™ phone or tablet, Mac® or Windows® laptop, or Chromebook. Simply download and open a Chromecast-enabled app, tap the Cast button, then select the name of your Q Active system. The Q Active system will switch on or change source and play your desired music. You can change the speaker volume using the Chromecast-enabled app, remote, or buttons on the speakers

Playing audio using Spotify Connect

Use your phone, tablet or computer as a remote control for Spotify. Go to spotify.com/connect to learn how.

Spotify is an internet music on demand service, you can use a premium, family or free account. Simply open up the Spotify App, select 'Devices Available' and then select the name of the Q Active system. Once you have selected some music to play, the Q Active system will switch on or change source, allowing you to alter the volume using the Spotify App.

Playing audio using Roon

Roon is a dedicated music playing application and server which combines music libraries from internet music on demand services and personal digital music libraries, concentrating on a rich user experience and high quality audio. An annual or life time Roon subscription is required together with a Roon server and the Roon app. Firstly you will need to activate the Q Active speaker system as a Roon device on the Roon app.

Playing audio using DLNA (UPnP)

DLNA is a universal method of sharing and playing digital media between network connected devices and Q Active is a DLNA media renderer. You can use a certified DLNA media server such as a NAS drive that contains your personal stored digital music library, together with a DLNA or UPnP control App to browse the music library on the server and play through the Q Active speaker system. Many compatible DLNA servers and control Apps are available.

Playing audio using *Bluetooth*

You can use many *Bluetooth* devices to play audio through the Q Active system, even without any internet or WIFI configured on the Q Active hub. Firstly you will have to pair your *Bluetooth* device with the hub using the following instructions.

1. Manually select the *Bluetooth* input by selecting it on the remote control, or touching the source button on the hub or speaker.
2. You will see the blue *Bluetooth* Pair LED flash on the hub and hear a Bluetooth pairing sound from the speakers. The hub is now in *Bluetooth* pairing mode for 60 seconds.
3. Select the *Bluetooth* settings on your device, and look for the name of your Q Active speaker in the new devices list.
4. Select the Q Active speaker device in the new *Bluetooth* device list, the *Bluetooth* LED will light continuously and you will hear the *Bluetooth* connection sound.
5. You can now play audio from your device.

Once you have paired a device, you can simply connect to the Q Active hub next time which will turn on the hub and select the *Bluetooth* input.

When playing audio, you can use the device to alter the volume.

Playing audio using wired inputs

HDMI ARC – Use the supplied HDMI cable to connect your TV HDMI ARC output to the hub and ensure the TV audio output settings are set to HDMI ARC and output type as PCM. You should enable Consumer Electronic Control (CEC) or sometimes called Link Control or other on the TV, this will allow the TV to switch on the hub and control the Q Active speaker system volume. You can also control the volume using the remote control, buttons on the speakers, or using the Q Active App.

Optical – Use a suitable TOSLINK optical digital cable to connect your digital audio device output to the hub. If using a TV, DVD, Bluray, satellite receiver or similar ensure the digital audio output settings are set to PCM stereo. Q Active will switch on automatically and select the optical input when the hub senses an optical signal (optical light is on); the volume can be adjusted using the remote control, buttons on the speakers, or using the Q Active App.

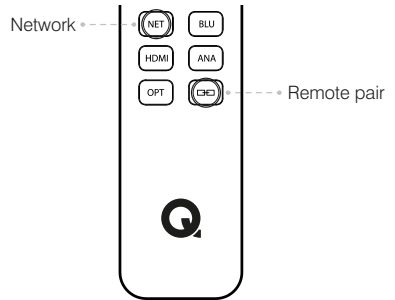
Analogue – Use a suitable phono stereo analogue audio cable to connect your analogue audio device to the hub. Ensure that the switch on the rear of the hub is set to the 'Line Level' position for the hub and speakers to reproduce the sound correctly. Q Active will switch on automatically and select the analogue input when the hub senses an audio signal; the volume can be adjusted using the remote control, buttons on the speakers, or using the Q Active App.

Moving Magnet (MM) turntable – A turntable fitted with a moving magnet cartridge can be plugged into the analogue input, ensure that the switch on the rear of the hub is set to MM. You should set the input as manual switching using the Q Active App, and then manually switch on the hub using the remote control or source input buttons when you wish to play vinyl; the volume can be adjusted using the remote control, buttons on the speakers, or using the Q Active App.

System reset

If for any reason you are required to do a factory reset follow these steps. IMPORTANT: The hub, speakers and remote must be reset.

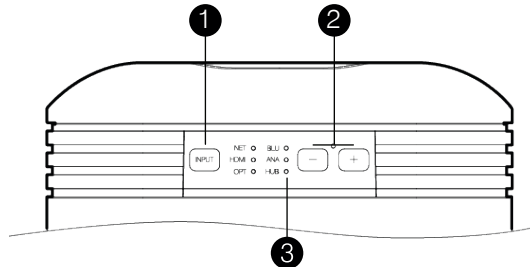
1. Locate the reset hole on both speakers.
2. Using a pin or similar press and hold the button for 5 seconds or until you see an LED flash indication on the product (all LEDs will flash consecutively).
3. Repeat these steps for the hub.
4. To reset the remote press and hold both 'NET' and 'Remote Pair' buttons for 6 seconds
5. Once all parts of the system are reset wait for the start up sequence to complete before following the setup steps.



Speaker top panel operation

The Q Active speakers can only be used with a Q Active hub and only one pair of speakers can be paired with a hub at a time.

There are a number of LED's and touch controls on the top of the speaker for some basic control and status feedback:



1. INPUT – touch to change input source manually, this will disable automatic input change until the system is put back into standby. Long press to mute (the volume LED (2) will pulse).
2. Volume + / - touch to alter the volume up or down, the LED will flash whilst being pressed. The LED will pulse when in mute.
3. Hub LED - this indicates the status of the hub connection and also one of the following states of the system:

OFF – The system is in standby.

WHITE – The system is playing a source and the speaker is connected to the hub with the default white connection setup.

BLUE – The system is playing a source and the speaker is connected to the hub with a blue connection setup.

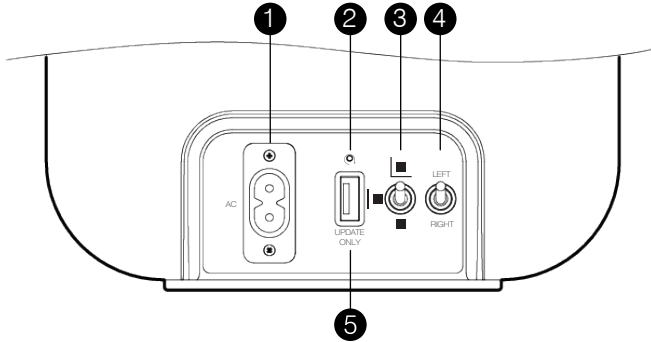
GREEN - The system is playing a source and the speaker is connected to the hub with a green connection setup.

FLASHING WHITE – The speaker is in pairing mode and attempting to connect to a hub.

PULSING WHITE / BLUE / GREEN – The speaker has been paired with a hub but has lost the connection.

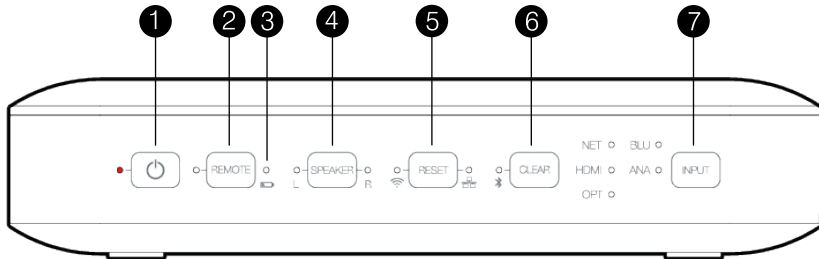
Speaker rear connections

1. AC POWER – Connect to mains power 100v – 240v
2. RESET – Using a pin press and hold for 5 seconds for factory reset
3. BOUNDARY CONDITION – Select for corner (top), wall (middle), free space (bottom)
4. SPEAKER POSITION – Select left or right position in the room from the listening position
5. USB – Firmware updates



Hub operation

The Q Active hub can only be used with Q Active speakers, the hub can connect with only one pair of speakers at a time. There are a number of buttons and status LED's on the front of the hub for basic operation and setup.



1. STANDBY - Touch to turn on system manually or touch to put system into standby manually. If the system is brought out of standby manually it disables any automatic source switching (except network sources) until the system is put back into standby.

Long touch (+3 seconds) puts the system into deep standby. In this mode WIFI, Ethernet and speaker connections are turned off for minimal power consumption. A short touch of the standby button will bring the hub out of deep standby and start initialisation.

- RED - Standby
- RED DIM - Deep Standby
- RED FLASH - Initialising
- WHITE PULSING - The speakers are in mute

2. REMOTE - Long touch (+3 seconds) will clear the currently paired remote control and enter remote pairing mode. To pair a new remote, press the pair button on the remote control.

WHITE – Connected to a remote control

WHITE PULSING – Searching for the paired remote control

WHITE FLASHING – Pairing mode, waiting for a new remote control to respond

3. REMOTE LOW BATTERY INDICATOR - When the remote control battery is low, it will indicate this on the hub. Replace with 2 x AAA batteries.

RED – Low battery

4. SPEAKER - Long touch (+3 seconds) will clear the currently paired speakers and colour mode and enter speaker pairing mode, both left and right LED's will flash. You must ensure the speakers are also in pairing mode in order to connect (hub LED flashing on speaker), press the reset button on the back of the speaker for 3 seconds to put the speaker into pairing mode.

WHITE – Speaker is connected

WHITE PULSING – Hub is searching for previously paired speaker

WHITE FLASHING – Hub is in pairing mode, waiting to pair with speaker also in pairing mode

Long touch (+3 seconds) in standby when paired with speakers will allow you to change the speaker / hub connection colour. This is useful if using more than one Q Active system in the house, each system (maximum of three) can use a different colour. Once the speaker LED's switch on, a short touch changes the colour – WHITE – BLUE – GREEN. Once the desired colour is shown, wait until the LED switches off, the new colour is applied.

BLUE – Speaker is connected

BLUE PULSING – Hub is searching for previously paired speaker.

GREEN – Speaker is connected

GREEN PULSING – Hub is searching for previously paired speaker.

5. RESET NETWORK - Long touch (+3 seconds) will reset the WIFI and Ethernet settings to factory default, clearing any WIFI password and putting network back to DHCP. Once cleared, use the Google Home app to connect the system to WiFi again.

WHITE – Connected

WHITE FLASHING – Searching for connection

AMBER – Connection failed

6. CLEAR *BLUETOOTH* - Long touch (+3 seconds) will clear all *Bluetooth* devices in the pairing list. Once the pairing list is cleared, devices must pair to the system.

BLUE – Connected

BLUE FLASHING – Pairing mode, ready to pair new device

7. INPUT - Touch to manually change source, cycle through all the enabled sources. Manually selecting a source will disable automatic source switching (except network sources) until the hub is put back into standby.

WHITE – Source selected

Specification

Product	Q Active 200	Q Active 400	Hub
Acoustics			
Enclosure type	Reflex (ported)	Reflex (ported)	-
Full range driver	2 x BMR 58mm (2.25in)	2 x BMR 58mm (2.25in)	-
Subwoofer (high excursion)	1 x 114mm (4.5in)	2 x 114mm (4.5in)	-
Crossover frequency	150Hz	TBC	-
System frequency response (free boundary)	46Hz to 20kHz (-6dB)	TBC	-
Power (per speaker)			
Continuous power	100W	TBC	-
Peak power	280W	TBC	-
Power requirement			
Voltage range	100 - 240 VAC, 50/60 Hz	100 - 240 VAC, 50/60Hz	100 - 240 VAC, 50/60Hz
Weight and dimensions			
Un-boxed weight (per speaker)	7.5kg	17.5kg	0.5kg
Dimensions (per speaker) H x W x D	284 x 170 x 290mm (11.2 x 6.7 x 11.4in)	825 x 320 x 290mm (32.5 x 12.6 x 11.4in) incl. spikes & stabiliser	40 x 180 x 112mm (1.6 x 7.1 x 4.4in)
Dimensions on stand H x W x D	922 x 286 x 338mm (36.3 x 11.3 x 13.3in)	-	-
Wireless connectivity			
Bluetooth	-	-	v4.1 Low Energy
Wi-Fi	-	-	IEEE 802.11 a/b/g/n and 802.11ac compliant
Hi-Res Wireless Link frequency	5.8GHz	5.8GHz	5.8GHz
Remote control	-	-	2.4GHz
Audio playback			
Codec formats	-	-	AAC , WAV, FLAC, MP3, Vorbis, WMA & ALAC
Sample frequency	96kHz	96kHz	8 – 192kHz (depending on codec)
Bit depth	24bits	24bits	8 – 32bits (depending on codec)
Wired connectivity			
Digital optical	-	-	96kHz/24bit Toslink
Digital HDMI	-	-	96kHz/16bit ARC (2 channel)
Analogue (set to line level)	-	-	300mV/18kΩ
Analogue (set to phono MM)	-	-	2.6mV/47kΩ (RIAA Equalised)
Subwoofer output	-	-	1.20V (0-300Hz)

Warranty

Q Acoustics Media products are warranted free of defects in materials and workmanship for a period of 1 year from the date of purchase. During the warranty period Q Acoustics will, at its option, repair or replace any product found to be faulty after inspection by the company or its appointed distributor or agent.

Misuse and fair wear and tear are not covered by warranty.

Goods for repair should in the first instance be returned to the supplying dealer. If this is not possible contact Q Acoustics or their appointed distributor for your area to determine the correct warranty procedure. If possible the original packaging should be used to return the product as damage sustained during transit to the repair centre is not covered by the warranty. The warranty does not in any way affect your legal rights.

Warranty can be extended to 2 years by registering your product at www.qacoustics.co.uk/register. For service information in other countries visit: www.qacoustics.co.uk

Q Acoustics
Armour Home Electronics Limited
Woodside 2, Dunmow Road
Bishops Stortford, Herts
CM23 5RG

Our policy is one of continuous product improvement.
We reserve the right to change the designs and specifications without notice.
This document contains information that is subject to change without notice.



Google, Android, Google Home and Chromecast built-in are trademarks of Google LLC.



Use of the Works with Apple badge means that an accessory has been designed to work specifically with the technology identified in the badge and has been certified by the developer to meet Apple performance standards. Apple, AirPlay, are trademarks of Apple Inc., registered in the U.S. and other countries.



This product incorporates Spotify software which is subject to 3rd party licences found here: www.spotify.com/connect/third-party-licenses.



Being Roon Ready means that Q Acoustics network players transparently discover and connect to Roon without any configuration, and bit-perfect audio is delivered from Roon to your network player. Together, Roon and Q Acoustics deliver the power, flexibility, and performance of networked audio, with the easiest setup and highest reliability available.



The Bluetooth® word mark and logo are registered trademarks owned by Bluetooth SIG, Inc. and use of such marks by Armour Home Electronics Limited is under license. Other trademarks and trade names are those of their respective owners.



The term HDMI and HDMI High-Definition Multimedia Interface, and the HDMI Logo are trademarks or registered trademarks of HDMI Licensing LLC in the United States and other countries.



ACOUSTICS

QACOUSTICS.CO.UK